

## **Double plate hydraulic screen changer**

### **Introduction of Double plate screen changer**

- ◆ As dual-channel double screen cavities screen changer, this series screen changer can provide uninterrupted operation.
- ◆ With exhaust structure, filtration process will not stop when replace filters.
- ◆ It is suitable for most of polymer extruded production.
- ◆ Filtration process will not stop when replace filters, it make the pressure stable.
- ◆ It can work well in 25-30Mpa pressure condition.
- ◆ It is mainly used for chemical, blown film, flat film, cast film, pipe, plate, wire, fiber, cutting line, recycling and so on.

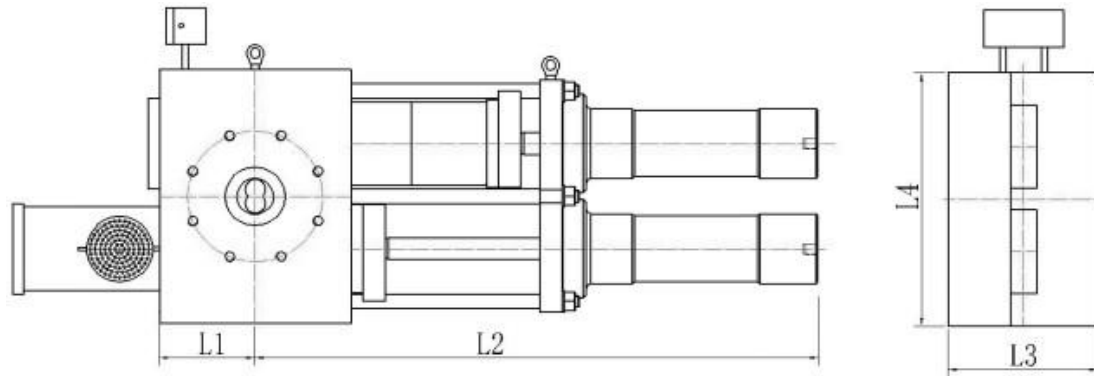


### **Application of Double screen cavities screen changer**

- ◆ Blown film and cast film (Bubble pack, Medical, Food Wrap)
- ◆ Sheet (Foam, Strapping, Plastic cardboard)
- ◆ Coating (Hot melt adhesive)
- ◆ Pipe ( Corrugated, Gas Pipe) and profile
- ◆ Compounding (Master batch, filler)
- ◆ Wire and cable extrusion
- ◆ Tubing (Medical, Industrial, Irrigation)
- ◆ Fibers ( Monofilament)
- ◆ Blow molding

- ◆ Melt-blown /Spun-bond Nonwovens
- ◆ Pelletizing (strands and underwater)
- ◆ Recycling of most polymers

**Structure of Hydraulic screen changer**



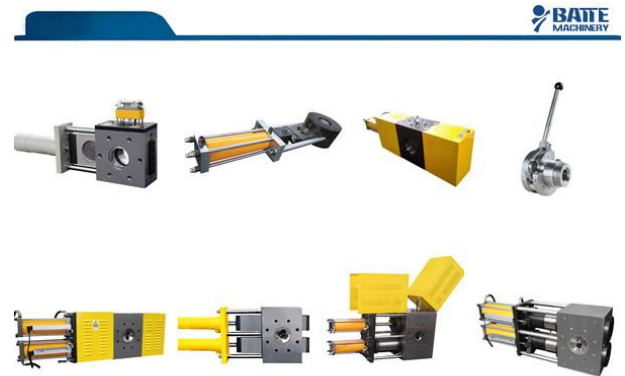
**Parameters of Double screen cavities screen changer**

Type	Capacity (kg/h)	Dimension (mm)				Screen size		Heater		
		L1	L2	L3	L4	Diameter (mm)	Area (cm <sup>2</sup> )	Quantity	Voltage (v)	Power (w)
ZB-DSP-80	110-300	140	775	220	330	80	50*2	6	230/400	1200/1700
ZB-DSP-100	180-500	170	895	250	400	100	78*2	6	230/400	1600/2000
ZB-DSP-120	350-800	200	1005	310	470	120	113*2	6	230/400	200/2400
ZB-DSP-150	450-1200	245	1170	350	560	150	176*2	6	230/400	2400/3000
ZB-DSP-180	500-1500	290	1335	440	600	180	254*2	6	230/400	4000/4800
ZB-DSP-200	800-2500	320	1455	450	670	200	314*2	8	230/400	4500/5300
ZB-DSP-250	1400-3700	395	1760	490	760	250	490*2	8	230/400	5000/6000

Notes: The capacity will be affected by the fluidity, filter fineness and purity of materials.

## The other Products

[Double plate hydraulic screen changer](#)  
[Manual control screen changer](#)  
[Double piston four screen cavities screen changer](#)  
[Automatic mesh belt continuous screen changer](#)  
[Single piston screen changer](#)  
[Single plate screen changer](#)  
[Double piston double screen cavities screen changer](#)  
[Four screen cavities backflash screen changer](#)



Skype: Battemachinery

[info@battemachinery.com](mailto:info@battemachinery.com)  
[sale@meltump.com](mailto:sale@meltump.com)



Skype: Battemachinery

[info@battemachinery.com](mailto:info@battemachinery.com)  
[sale@meltump.com](mailto:sale@meltump.com)

[Single screw gravimetric dosing feeder](#)  
[Single screw gravimetric feeder](#)  
[Twin screw loss in weight metering feeder](#)  
[Twin screw loss in weight feeder](#)  
[Volume feeding machine \(single screw,twin screw\)](#)  
[Micro loss in weight metering feeder](#)  
[Micro loss in weight feeder](#)  
[Liquid loss in weight feeder](#)  
[Multi-component loss in weight feeder](#)



Skype: [Battemachinery](https://www.skype.com/Battemachinery)

[info@battemachinery.com](mailto:info@battemachinery.com)  
[sale@meltump.com](mailto:sale@meltump.com)

- [ZB-B Gear melt pump](#)
- [ZB-C Extruder melt pump](#)
- [ZB-D Extruding pump for polymer](#)
- [ZB-E Pressurized melt pump](#)
- [ZB-F Melt pump for reaction kettle](#)
- [ZB-H High temperature and high pressure melt pump](#)
- [ZB-K Polymer melt pump](#)
- [ZB-R Gear pump for rubber extruder](#)
- [ZB-U Spinning gear metering pump](#)
- [ZB-X Chemical transporting and dosing pump](#)



<http://www.battemachinery.com/>

Email: [info@battemachinery.com](mailto:info@battemachinery.com)

[Skype: Battemachinery](https://www.skype.com/Battemachinery)