

Volume feeding machine

Introduction of Volume feeder

Volume feeder is suitable for granule, pill material, poor liquidity powder, small sheet, and ensure the uniform and continuous feeding.

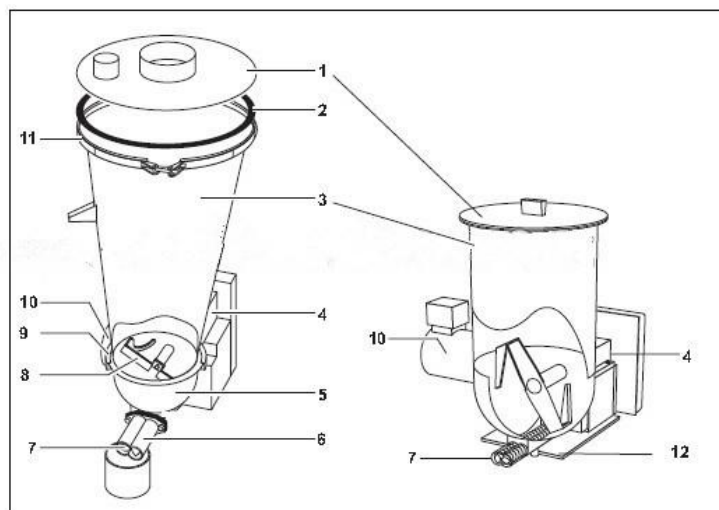


Features of Volumetric feeders

- ◆ This feeding machine is easy to control, and has high intelligence program.
- ◆ You can choose different screw according with the different material to solve feed blocking.
- ◆ Beautiful appearance, and the rolled steel contacting with material is 304 stainless steel.
- ◆ Easy to disassembly and maintain.
- ◆ The feeding accuracy can be controled to $\pm 1\%$ in any case.
- ◆ Reduce labor strength and increase labor efficiency, improve efficiency.

Structure of Volumetric screw feeders

- (1) Hopper lid
- (2) Seal
- (3) Hopper
- (4) Gearbox for agitator and feed screw
- (5) Agitator hopper
- (6) Outlet tube
- (7) Feeding screws
- (8) Horizontal agitator
- (9) V-clamping ring
- (10) Motor
- (11) v-clamping ring
- (12) Base plate



Parameters of Volumetric screw feeder

Single screw Volume feeding machine:

Type	Screw specification	Capacity (L/H)	Driving power (kw)	Hopper (optional)
BAT-VF-SS28	28	10-100	1.1	40-80
BAT-VF-SS38	38	30-300	1.5	40-100
BAT-VF-SS46	46	40-400	1.5	40-120
BAT-VF-SS64	64	50-500	1.5	40-150

Notes: The feeding capacity and accuracy will be affected by different materials.

Twin screw Volume feeding machine:

Type	Screw specification	Capacity (L/H)	Driving power (kw)	Hopper (optional)
BAT-VF-TS28	28	10-200	1.1	40-80
BAT-VF-TS38	38	30-400	1.1	40-100
BAT-VF-TS46	46	50-800	1.5	40-120
BAT-VF-TS64	64	60-1200	2.2	40-150

Notes: The feeding capacity and accuracy will be affected by different materials.

The other Products

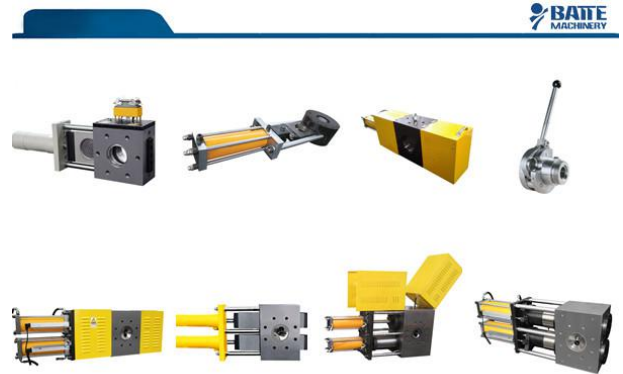


- [Single screw gravimetric dosing feeder](#)
- [Single screw gravimetric feeder](#)
- [Twin screw loss in weight metering feeder](#)
- [Twin screw loss in weight feeder](#)
- [Volume feeding machine \(single screw,twin screw\)](#)
- [Micro loss in weight metering feeder](#)
- [Micro loss in weight feeder](#)
- [Liquid loss in weight feeder](#)
- [Multi-component loss in weight feeder](#)

Skype: [Battemachinery](https://www.skype.com/Battemachinery)

info@battemachinery.com
sale@meltump.com

[Double plate hydraulic screen changer](#)
[Manual control screen changer](#)
[Double piston four screen cavities screen changer](#)
[Automatic mesh belt continuous screen changer](#)
[Single piston screen changer](#)
[Single plate screen changer](#)
[Double piston double screen cavities screen changer](#)
[Four screen cavities backflash screen changer](#)

Skype: [Battemachinery](https://www.batte.com)info@battemachinery.com
sale@meltump.comSkype: [Battemachinery](https://www.batte.com)info@battemachinery.com
sale@meltump.com

[ZB-B Gear melt pump](#)
[ZB-C Extruder melt pump](#)
[ZB-D Extruding pump for polymer](#)
[ZB-E Pressurized melt pump](#)
[ZB-F Melt pump for reaction kettle](#)
[ZB-H High temperature and high pressure melt pump](#)
[ZB-K Polymer melt pump](#)
[ZB-R Gear pump for rubber extruder](#)
[ZB-U Spinning gear metering pump](#)
[ZB-X Chemical transporting and dosing pump](#)