

Micro loss in weight metering feeder

Introduction of Micro loss in weight feeder

Micro loss in weight feeder is mainly suitable for granule and powder, and ensure the uniform and continuous feeding.

Batte feeding system with high accuracy can totally satisfy the fields of pharmaceutical industry, chemical industry, food, plastic and rubber and so on. Configurable options can meet factories' demand in hygiene, explosion-proof, water proof, antiseptic and other regulation demands.



Application of Micro gravimetric feeder

In the extrusion processing, it is common to add many material (such as color, flame retardant, glass fiber and so on) into extruder. In the process of continuous extrusion production, various material should be added to extruder continuously synchronized. And the adding speed of these materials should depend on corresponding formula, so metering feeder is necessary to control the adding speed. And one metering feeder control one material.

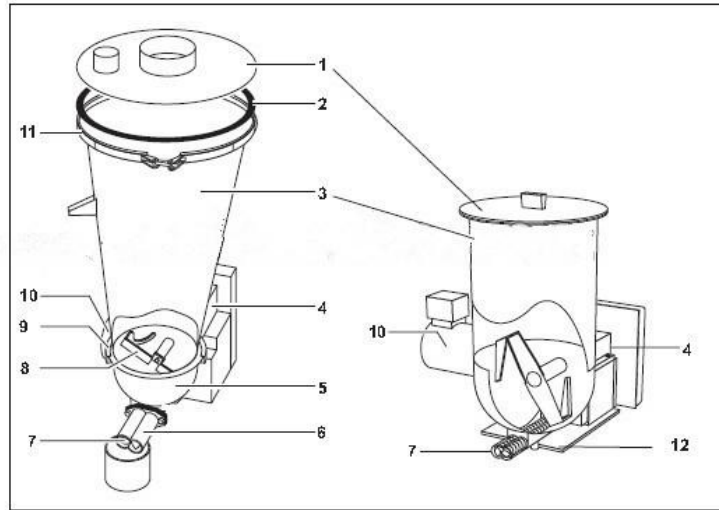
Loss-in-weight feeders is suitable for plastic granules, powder, calcium carbonate, talcum powder, resin membrane powder, flour, starch and so on. Different material use different feeders.

Features of Trace weight feeder

- ◆ This feeding machine is easy to control, and has high intelligence program.
- ◆ You can choose different screw according with the different material to solve feed blocking.
- ◆ Beautiful appearance, and the rolled steel contacting with material is 304 stainless steel.
- ◆ Easy to disassembly and maintain.
- ◆ The feeding accuracy can be controled to $\pm 1\%$ in any case.
- ◆ Reduce labor strength and increase labor efficiency, improve efficiency.

Structure of Trace metering feeder

- (1) Hopper lid
- (2) Seal
- (3) Hopper
- (4) Gearbox for agitator and feed screw
- (5) Agitator hopper
- (6) Outlet tube
- (7) Feeding screws
- (8) Horizontal agitator
- (9) V-clamping ring
- (10) Motor
- (11) v-clamping ring
- (12) Base plate



Parameters of Micro metering feeder

Type	Capacity (L/H)	Feeding materials	Accuracy	Divien system
BAT-MF-TS10	2-8	Pellet,powder,fibrous materials	± 0.5%	Servo motor

Notes: The feeding capacity and accuracy will be affected by different materials.

The other Products

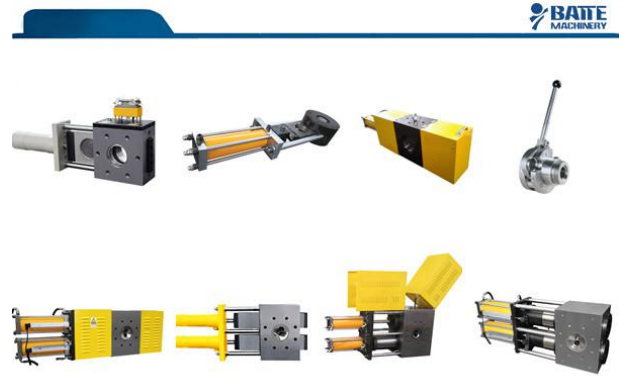


- [Single screw gravimetric dosing feeder](#)
- [Single screw gravimetric feeder](#)
- [Twin screw loss in weight metering feeder](#)
- [Twin screw loss in weight feeder](#)
- [Volume feeding machine \(single screw,twin screw\)](#)
- [Micro loss in weight metering feeder](#)
- [Micro loss in weight feeder](#)
- [Liquid loss in weight feeder](#)
- [Multi-component loss in weight feeder](#)

Skype: Battemachinery

info@battemachinery.com
sale@melt泵.com

[Double plate hydraulic screen changer](#)
[Manual control screen changer](#)
[Double piston four screen cavities screen changer](#)
[Automatic mesh belt continuous screen changer](#)
[Single piston screen changer](#)
[Single plate screen changer](#)
[Double piston double screen cavities screen changer](#)
[Four screen cavities backflash screen changer](#)



Skype: [Battemachinery](https://www.batte.com)

info@battemachinery.com
sale@melt pump.com



Skype: [Battemachinery](https://www.batte.com)

info@battemachinery.com
sale@melt pump.com

[ZB-B Gear melt pump](#)
[ZB-C Extruder melt pump](#)
[ZB-D Extruding pump for polymer](#)
[ZB-E Pressurized melt pump](#)
[ZB-F Melt pump for reaction kettle](#)
[ZB-H High temperature and high pressure melt pump](#)
[ZB-K Polymer melt pump](#)
[ZB-R Gear pump for rubber extruder](#)
[ZB-U Spinning gear metering pump](#)
[ZB-X Chemical transporting and dosing pump](#)